

## TC78<sup>ex</sup>-NI Touch Computer Scan Handle

### Installation Guide



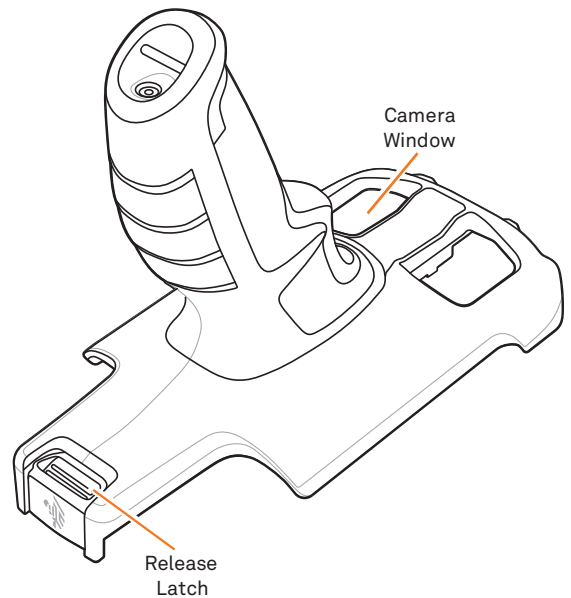
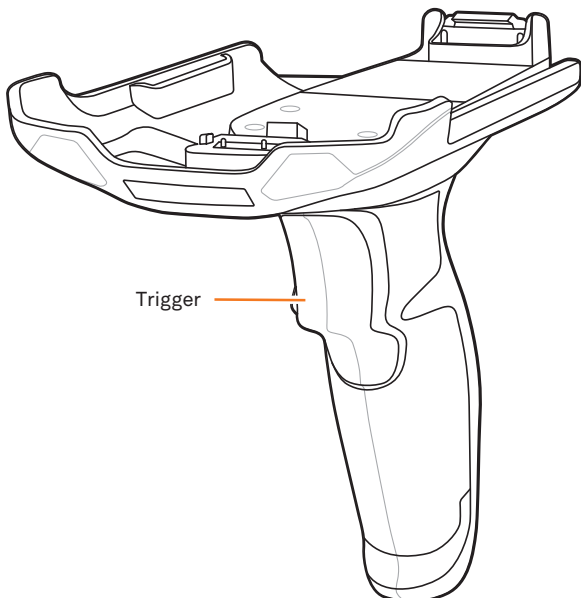
#### BARTEC

BARTEC GmbH  
Max-Eyth-Str. 16  
97980 Bad Mergentheim  
Germany

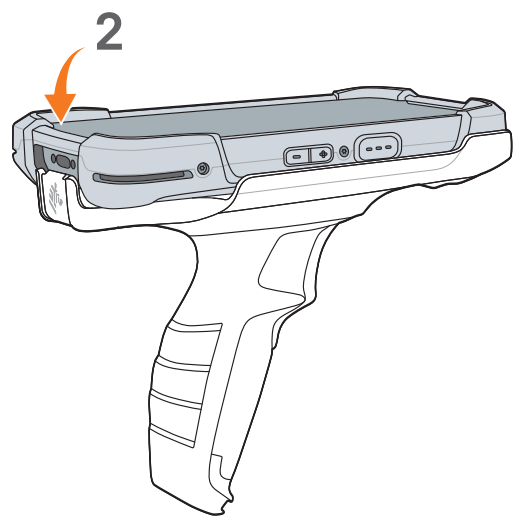
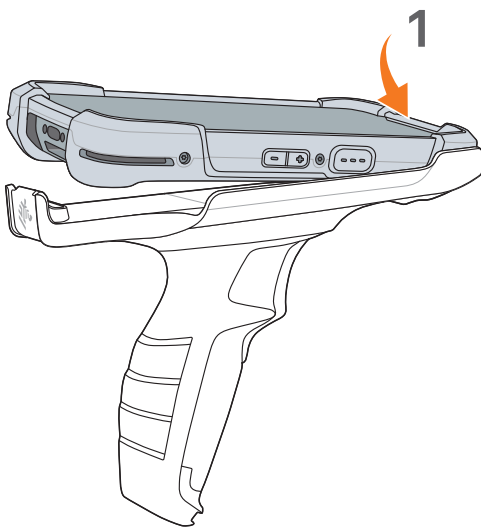
Tel.: +49 7931 597-0  
info@bartec.com

[bartec.com](http://bartec.com)

### Features



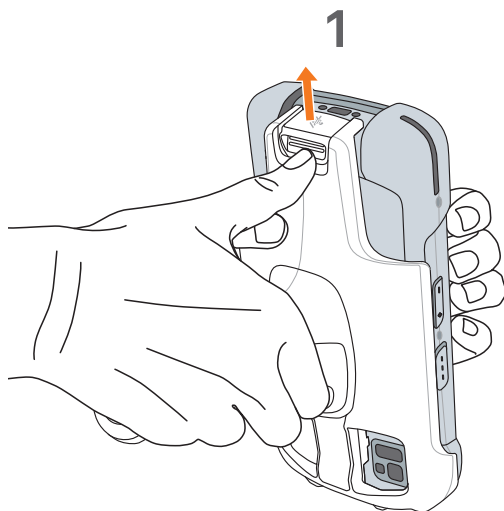
## Device Installation



## Device Removal



**NOTE** When removing the device from the Scan handle, place one hand around the Scan Handle while holding the device with the other hand.



## Charging

